

# Data Sheets



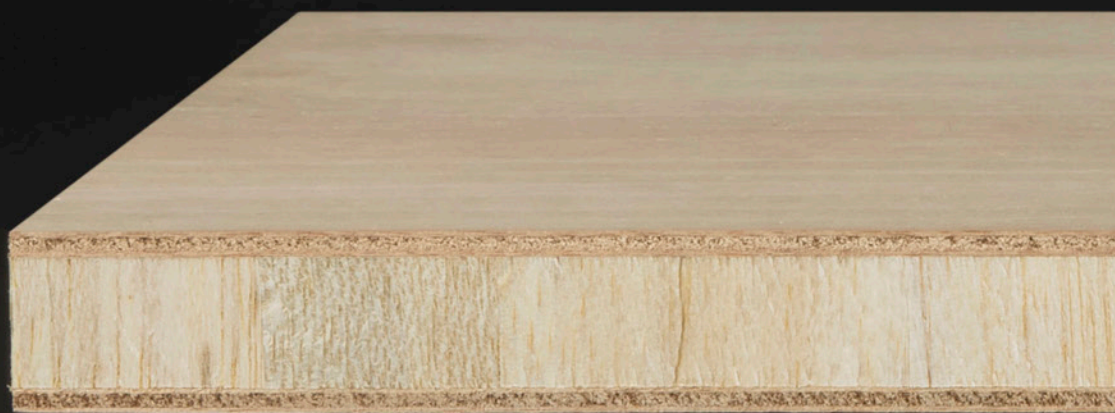
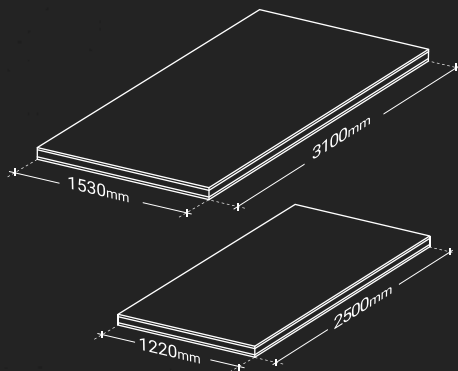
SANDWICH PANEL

# Isomar Balsapan<sup>TM</sup>

**Sizes** 3100 x 1530 mm  
2500 x 1220 mm

**Weight** from 4,40 kg/m<sup>2</sup>

**Gluing** Class 3 - E1  
Melamine adhesive  
E0 Class if faces are made with  
RINA Okoume  
Components Gluing E0



# TECHNICAL SPECIFICATIONS OF ISOMAR BALSAPAN™

Thickness	Configuration	Weight	Bending Strength		Bending Modulus	
			Long Grain	Cross Grain	Long Grain	Cross Grain
mm	mm	kg/m <sup>2</sup>	N/mm <sup>2</sup>		N/mm <sup>2</sup>	
15	3+9+3	4,4				
17	4+9+4	5,2				
20	4+12+4	5,8				
21	3+15+3	4,9				
23	4+15+4	6,3				
25	3+19+3	5,9				
27	6+15+6	8,2				
27	4+19+4	6,9				
31	8+15+8	10,1				
31	6+19+6	8,8	40,6	31,9	5669	3973
35	8+19+8	10,7				
39	10+19+10	12,7				
43	6+31+6	10,6				

Dimensional tolerances comply with the requirements of standard EN 315. Customized thicknesses and configurations upon request.



**Thermal conductivity**  
(at room temperature)  
UNI 7745

} **0,0804** W/mK



**Compression**  
UNI - ISO 3787/87

} **12** MPa

